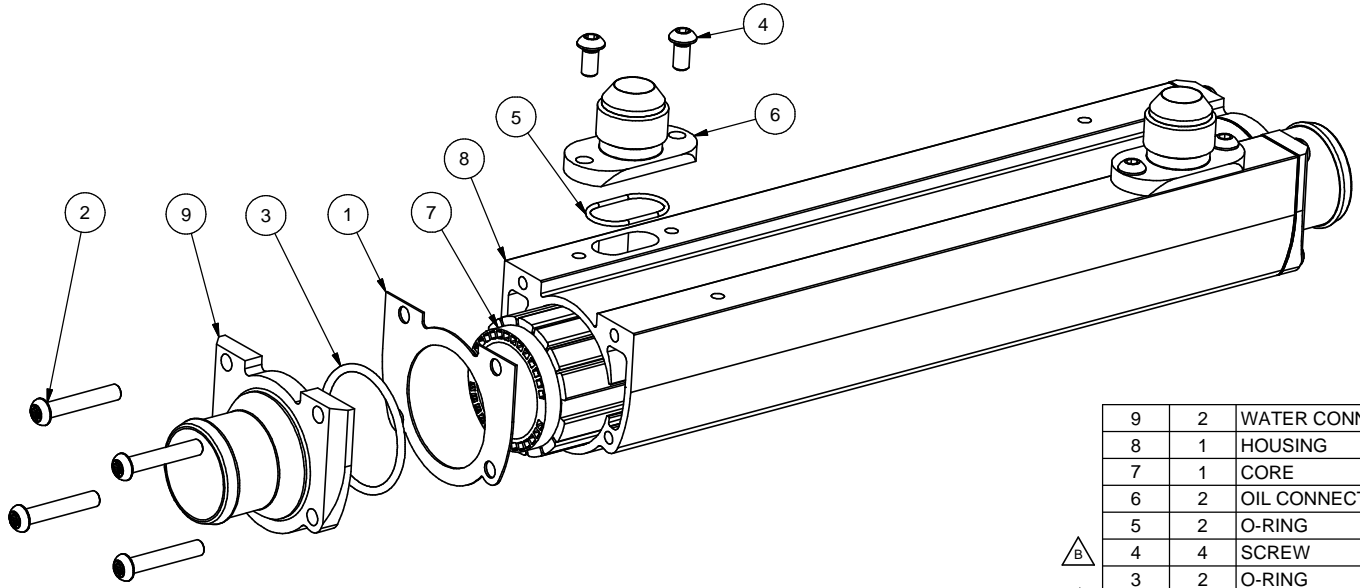
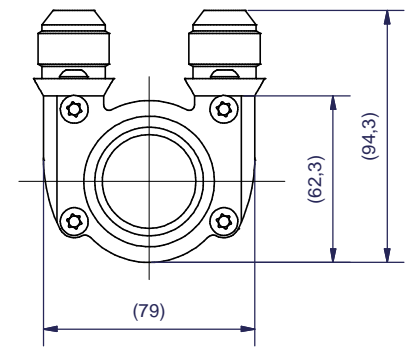
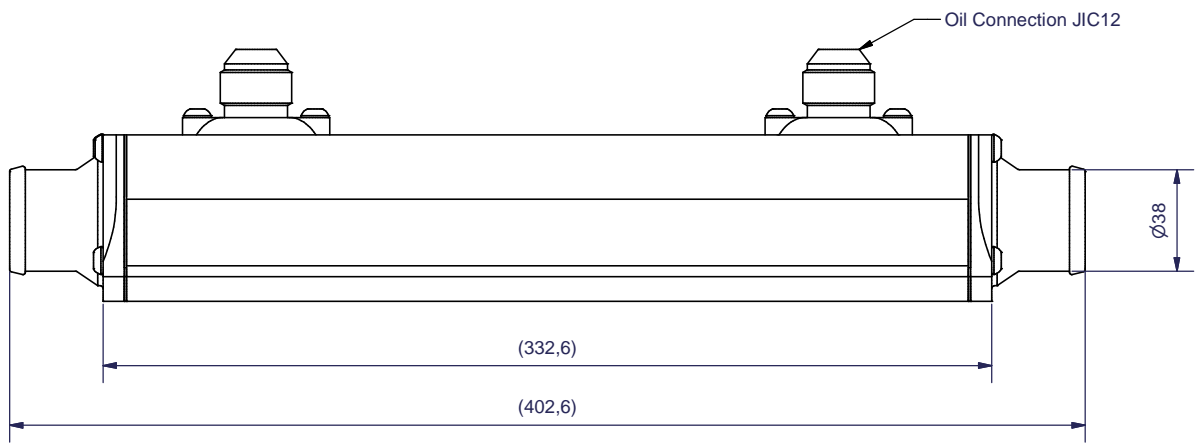


NO	REVISION	BY	DATE
B	New screw specification and part no	RH	2009-01-14



9	2	WATER CONNECTION	WC00179A	EC54 ø38
8	1	HOUSING	HS00138G	EC54-315
7	1	CORE	CR00146A	Ø54-329
6	2	OIL CONNECTION	OC00060B	EC 54 JIC 12
5	2	O-RING	SL00083A	ø26,7x1,78 FPM
4	4	SCREW	TB00267A	ISO 7380 KTS 8.8 FZB M6x12
3	2	O-RING	SL00084A	44,2x3 HNBR
2	8	SCREW	TB00266A	ISO 7380 KTS 8.8 FZB M6x25
1	2	GASKET	SL00081C	EC54

ITEM	REQ	TITLE	PART NUMBER	DESCRIPTION																																			
<table border="1"> <tr> <td rowspan="2"> <small>This is the property of Laminova Production AB. Swedens copyright laws apply. This drawing and its contents may not be reproduced or transmitted in any form or by any means, electronic, mechanical, photocopying, recording, or by any information storage and retrieval system, without the prior written permission of Laminova Production AB.</small> </td> <td>CONSTR</td> <td>DRAWN BY</td> <td>CHECKED</td> <td>TITLE</td> <td>SCALE</td> <td>DATE</td> </tr> <tr> <td></td> <td>UL</td> <td></td> <td>OIL COOLER</td> <td>1:1 A3</td> <td>2008-08-22</td> </tr> <tr> <td colspan="4"> </td> <td>DESCRIPTION</td> <td colspan="2"> <table border="1"> <tr> <td>REVISION</td> <td rowspan="2"> </td> </tr> <tr> <td>B</td> </tr> <tr> <td colspan="4">MATERIAL</td> <td colspan="2">DRAWING NO</td> </tr> <tr> <td colspan="4"></td> <td colspan="2">SA00434B</td> </tr> </table> </td> </tr> </table>					<small>This is the property of Laminova Production AB. Swedens copyright laws apply. This drawing and its contents may not be reproduced or transmitted in any form or by any means, electronic, mechanical, photocopying, recording, or by any information storage and retrieval system, without the prior written permission of Laminova Production AB.</small>	CONSTR	DRAWN BY	CHECKED	TITLE	SCALE	DATE		UL		OIL COOLER	1:1 A3	2008-08-22					DESCRIPTION	<table border="1"> <tr> <td>REVISION</td> <td rowspan="2"> </td> </tr> <tr> <td>B</td> </tr> <tr> <td colspan="4">MATERIAL</td> <td colspan="2">DRAWING NO</td> </tr> <tr> <td colspan="4"></td> <td colspan="2">SA00434B</td> </tr> </table>		REVISION		B	MATERIAL				DRAWING NO						SA00434B	
<small>This is the property of Laminova Production AB. Swedens copyright laws apply. This drawing and its contents may not be reproduced or transmitted in any form or by any means, electronic, mechanical, photocopying, recording, or by any information storage and retrieval system, without the prior written permission of Laminova Production AB.</small>	CONSTR	DRAWN BY	CHECKED	TITLE		SCALE	DATE																																
		UL		OIL COOLER	1:1 A3	2008-08-22																																	
				DESCRIPTION	<table border="1"> <tr> <td>REVISION</td> <td rowspan="2"> </td> </tr> <tr> <td>B</td> </tr> <tr> <td colspan="4">MATERIAL</td> <td colspan="2">DRAWING NO</td> </tr> <tr> <td colspan="4"></td> <td colspan="2">SA00434B</td> </tr> </table>		REVISION		B	MATERIAL				DRAWING NO						SA00434B																			
REVISION																																							
B																																							
MATERIAL				DRAWING NO																																			
				SA00434B																																			

6 5 4 3 2 1